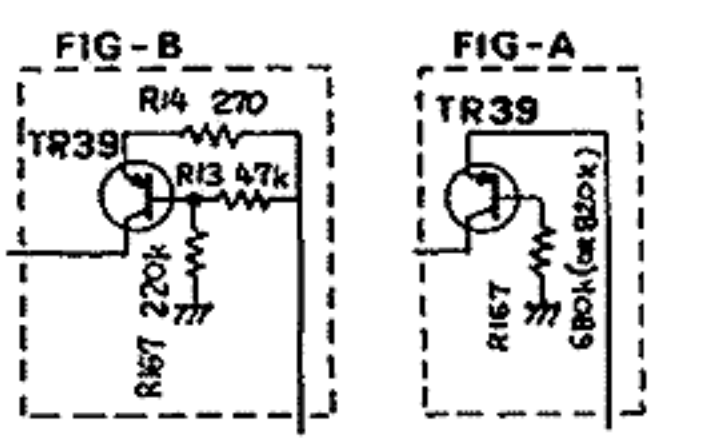
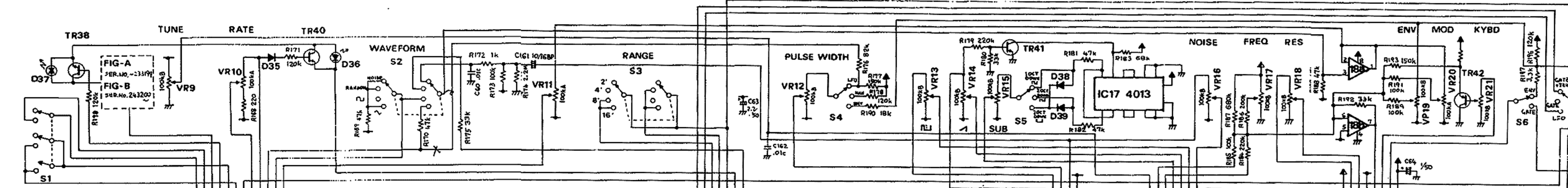
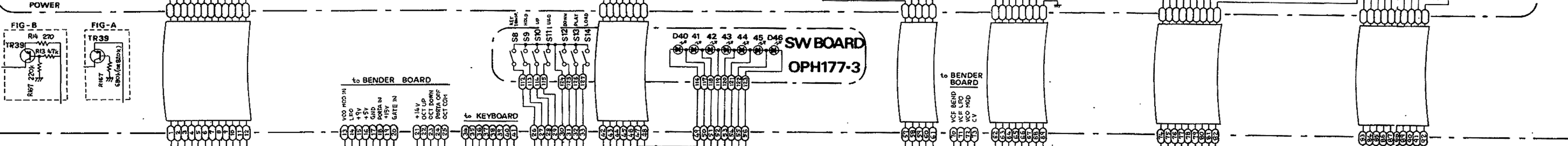


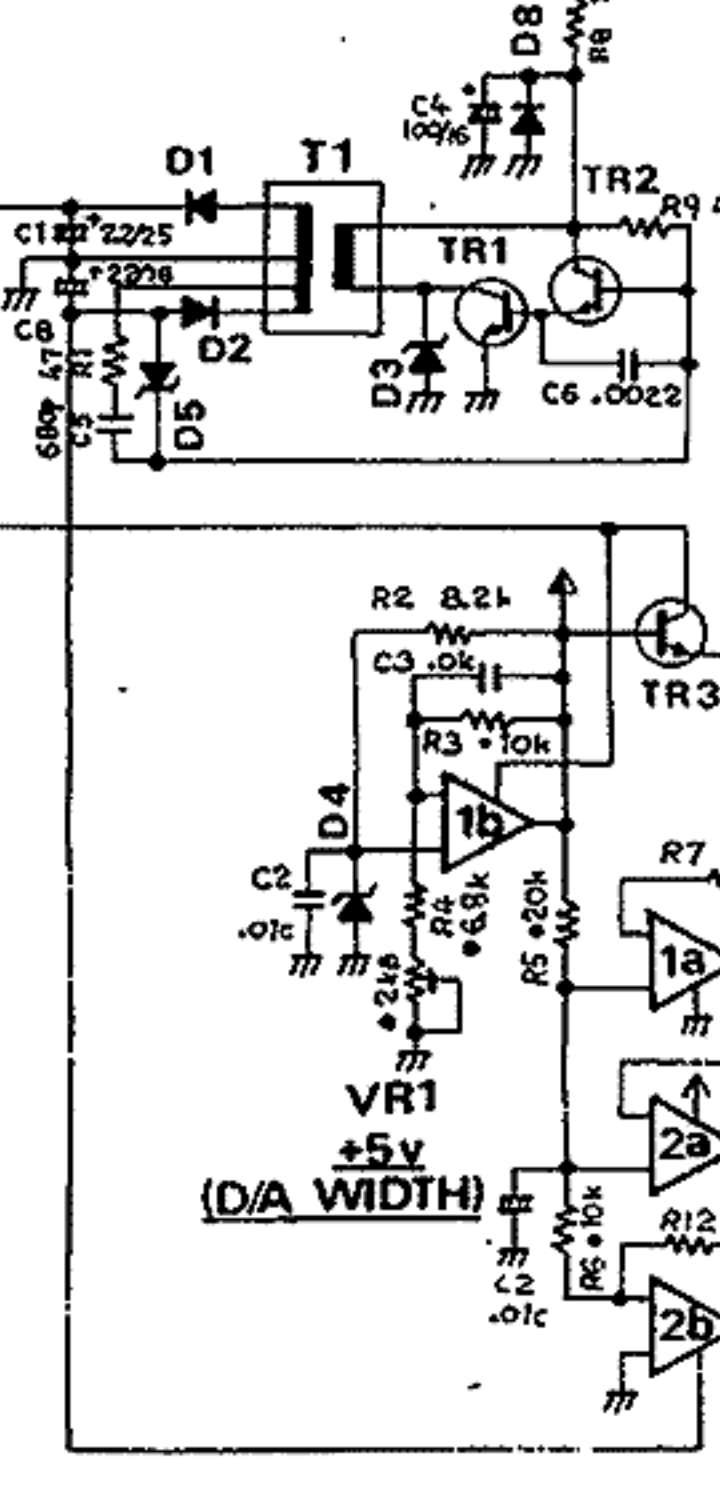
**CONTROL BOARD
OPH177-1**



**SW BOARD
OPH177-3**



POWER SUPPLY



LFO



TRIG

CPU

NOISE GEN

VCA

ENV GEN

**SYNTH BOARD
OPH177-2**

D/A CONV

VCO

VCF

KEYBOARD

JACK BOARD A

